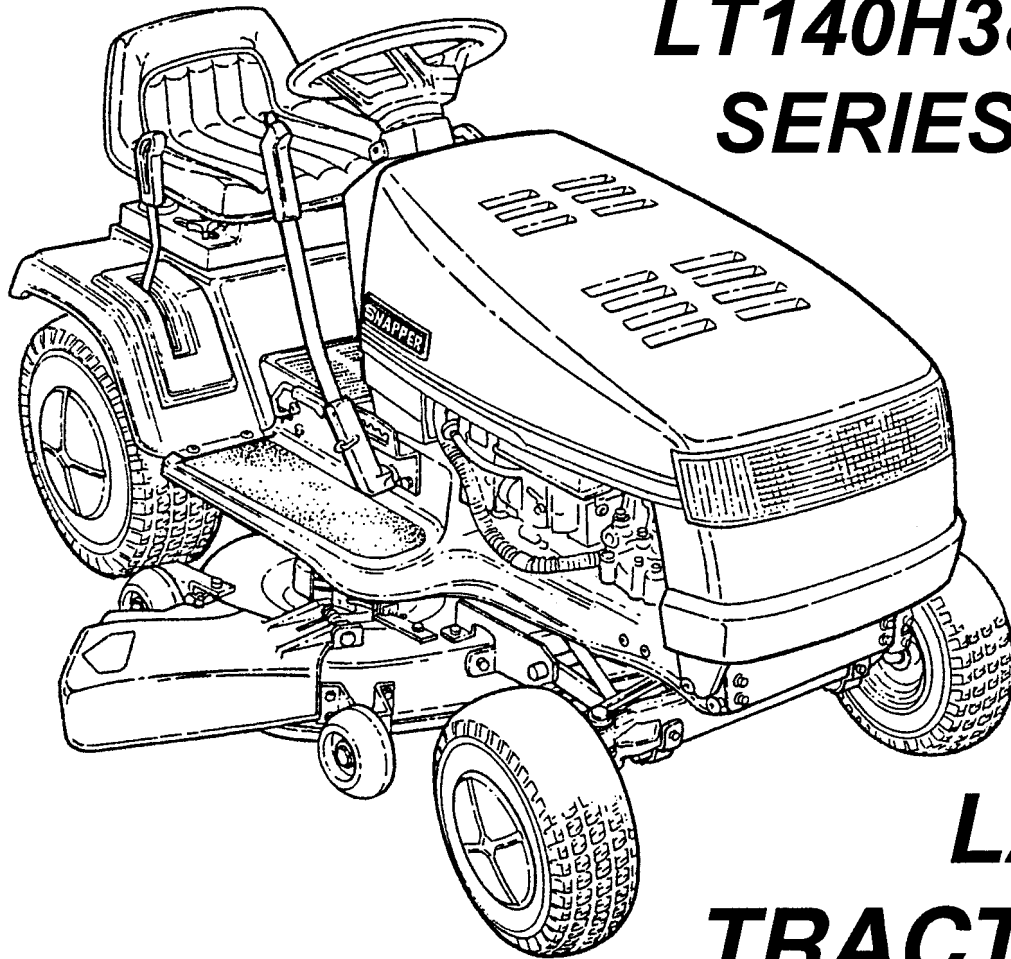


Parts Manual for

SNAPPER[®]

**ELT140H33ABV &
LT140H38ABV
SERIES "A"**

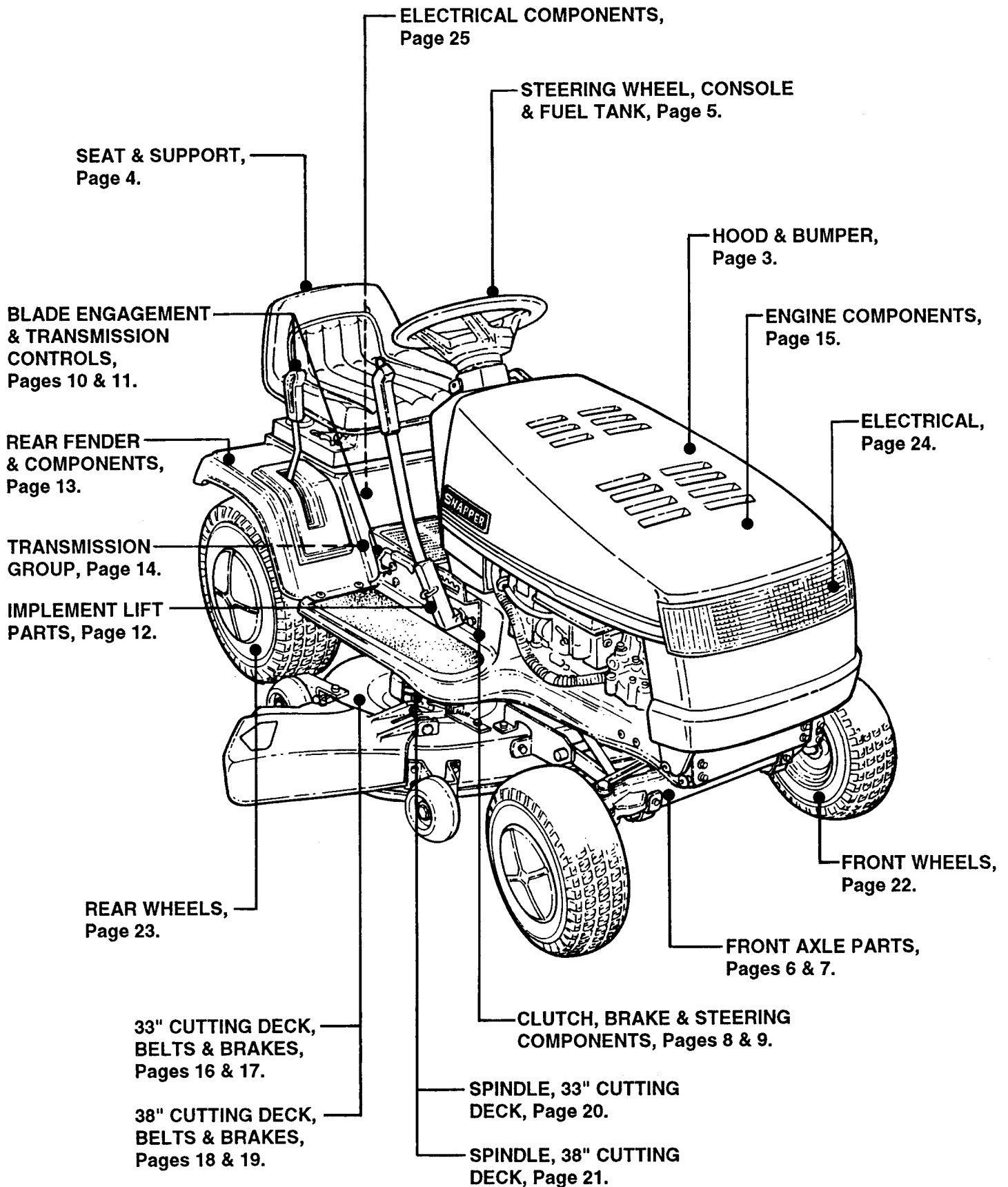


**LAWN
TRACTORS**

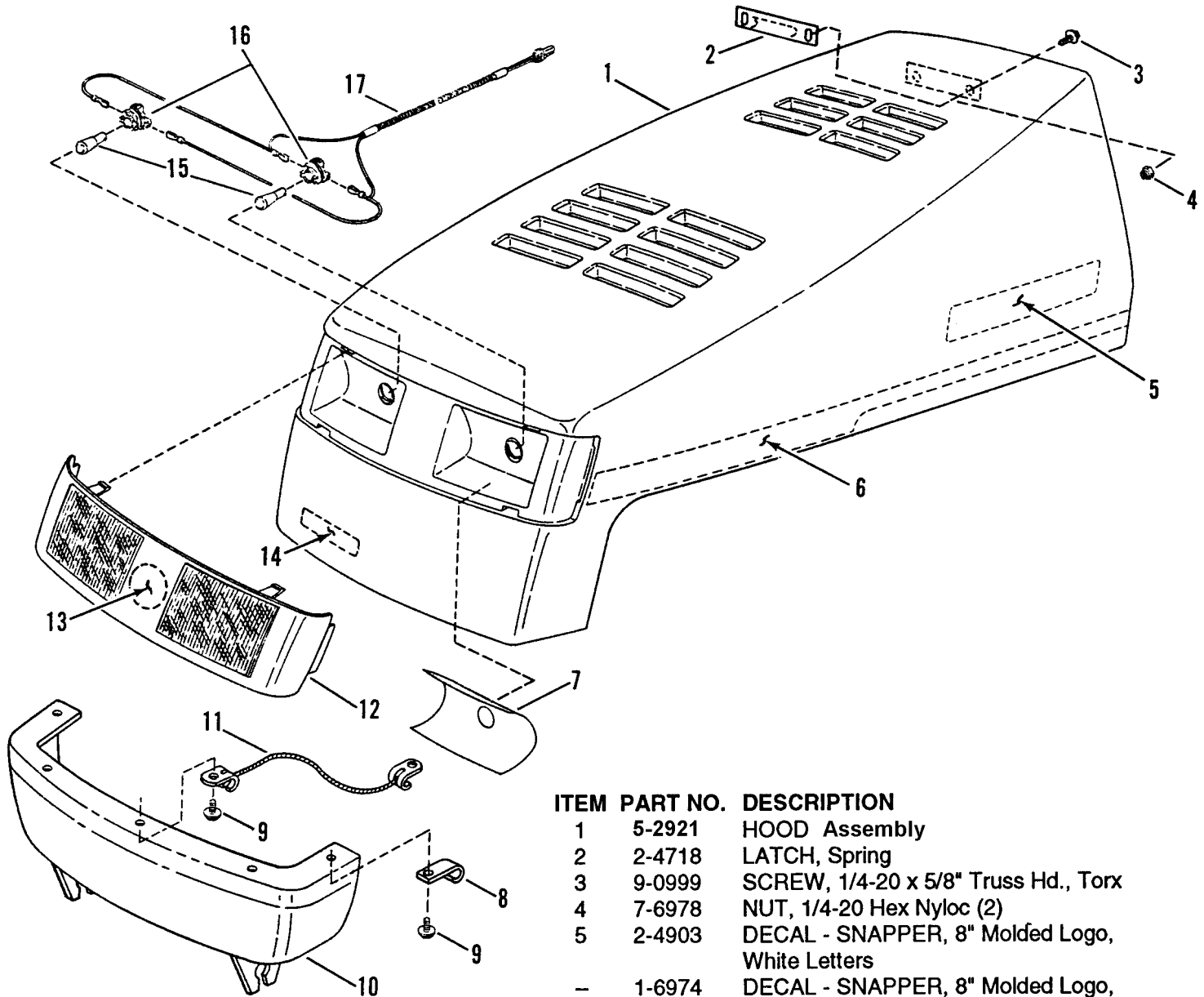
IT IS THE POLICY OF SNAPPER TO IMPROVE ITS PRODUCTS WHENEVER IT IS POSSIBLE AND PRACTICAL TO DO SO. WE RESERVE THE RIGHT TO MAKE CHANGES OR ADD IMPROVEMENTS AT ANY TIME WITHOUT INCURRING ANY OBLIGATION TO MAKE SUCH CHANGES ON PRODUCTS MANUFACTURED PREVIOUSLY.

SNAPPER McDonough, GA., 30253 U.S.A.

FAMILIARIZATION

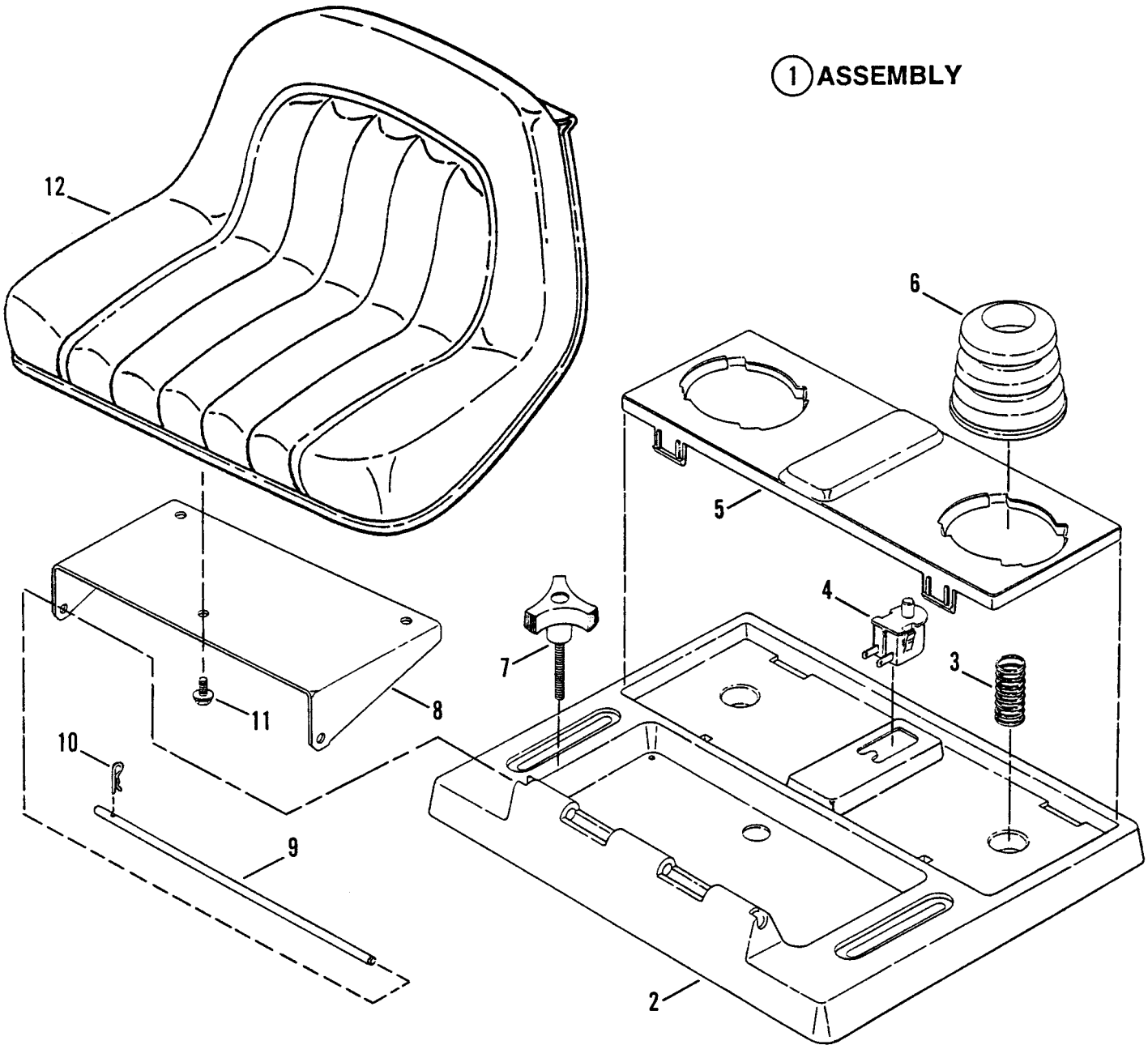


HOOD, BUMPER & COMPONENTS



ITEM	PART NO.	DESCRIPTION
1	5-2921	HOOD Assembly
2	2-4718	LATCH, Spring
3	9-0999	SCREW, 1/4-20 x 5/8" Truss Hd., Torx
4	7-6978	NUT, 1/4-20 Hex Nyloc (2)
5	2-4903	DECAL - SNAPPER, 8" Molded Logo, White Letters
-	1-6974	DECAL - SNAPPER, 8" Molded Logo, Silver Letters (33" & 38" Models) (2)
6	2-7840	DECAL, Hood, Right Side (33" Model)
-	2-7841	DECAL, Hood, Left Side (33" Model)
-	2-7832	DECAL, Hood, Right Side (38" Model)
-	2-7833	DECAL, Hood, Left Side (38" Model)
7	1-7174	DECAL, Lens, Right Side (33" & 38" Models)
-	1-7175	DECAL, Lens, Left Side (33" & 38" Models)
8	2-6482	CLIP, "J"
9	9-1106	SCREW, M4.8 x 1.59 x 16.00mm Special (5)
10	2-4615	BUMPER, Front
11	2-6114	LANYARD, Hood
12	2-4893	LENS, Clear
13	7-1544	DECAL, Molded Medallion, Convertible Mower (38" Model)
14	2-2968	DECAL - SNAPPER, 4" Molded Logo, White Letters (33" & 38" Models)
15	2-6172	BULB, Headlights (2)
16	2-4709	SOCKET, Headlight Bulb (2)
17	2-6171	HARNES, Headlight Wiring

SEAT, SUPPORT COMPONENTS

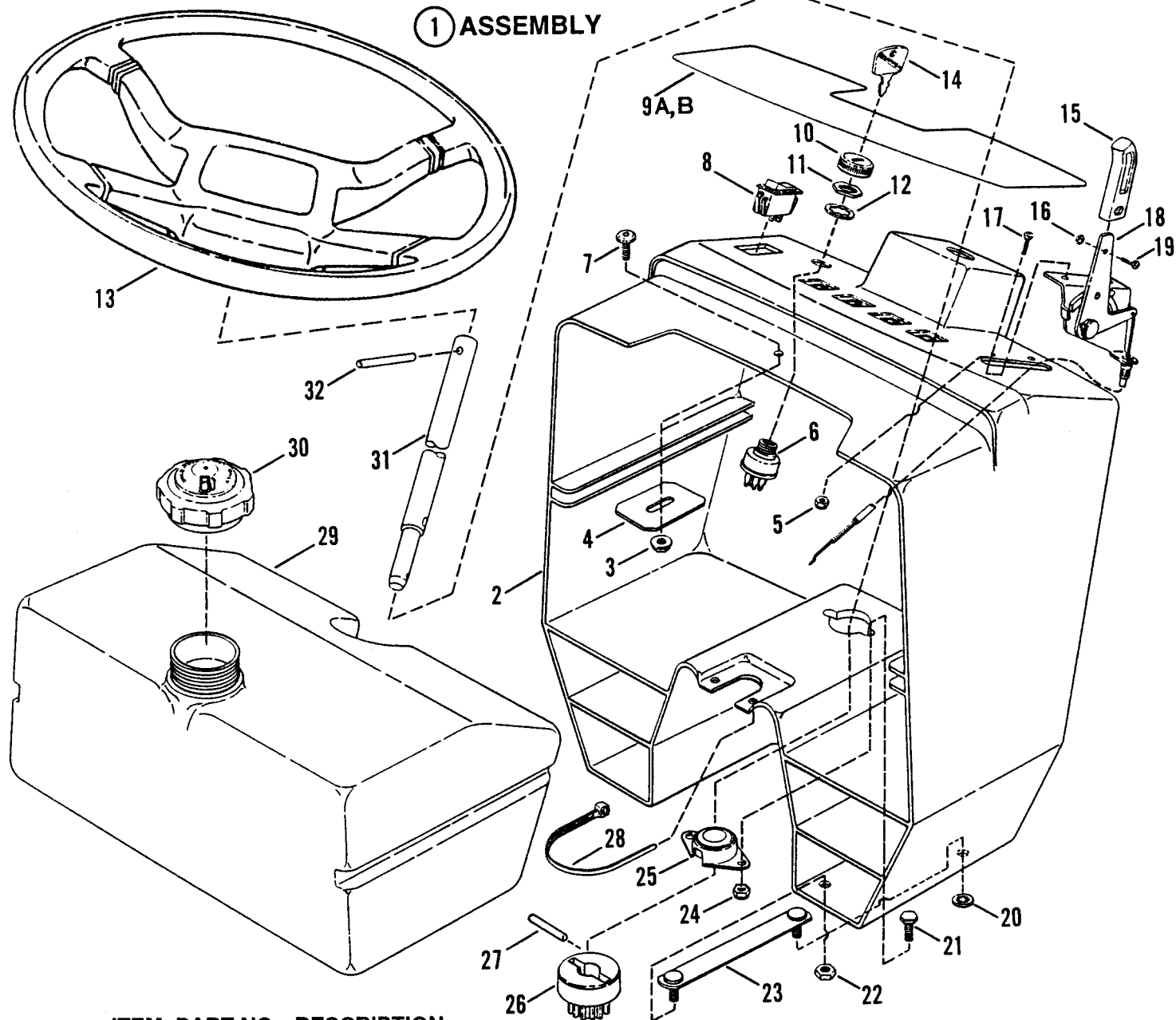


① ASSEMBLY

ITEM	PART NO.	DESCRIPTION
1	5-2606	ASSEMBLY, Seat Support (Includes items 2, 4, 5, & 2 item 3)
2	1-7852	SUPPORT, Seat
3	2-2759	SPRING (2)
4	2-3354	SWITCH, Seat
5	1-7851	HOLDER, Cushion
6	1-9109	CUSHION, Seat (2)
7	1-7875	KNOB, Seat Adjustment (2)
8	3-3318	BRACKET, Seat Support
9	3-3435	ROD, Seat Hinge
10	1-2431	PIN, Hair
11	9-0721	BOLT, 5/16-18 x 1/2" Hex flange Lock (3)
12	7-1564	SEAT, Operator's

STEERING WHEEL, CONSOLE, FUEL TANK

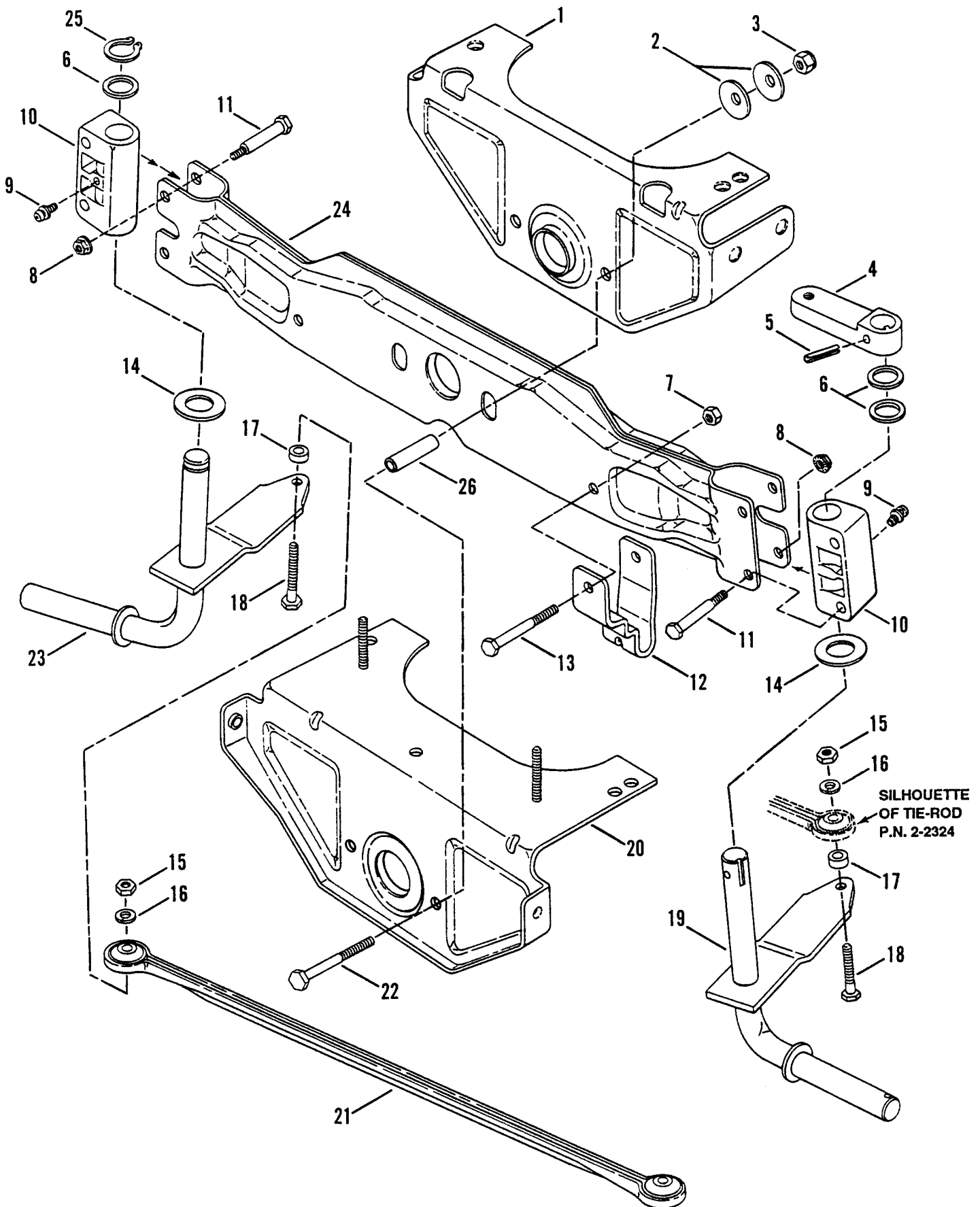
① ASSEMBLY



ITEM	PART NO.	DESCRIPTION
1	5-2825	ASSEMBLY, Console (Includes items 2, 20, 21, 23, 24, & 25)
2	2-4376	CONSOLE
3	9-0951	NUT, 5/16-18 Hex Flange Lock
4	3-3883	BRACKET, Hood Latch Catch
5	7-6977	NUT, #10-24 Hex Nyloc (2)
6	2-6343	KEYSWITCH (Includes item 11)
7	9-1001	SCREW, 5/16-18 x 5/8" Torx, Truss Head
8	2-3187	SWITCH, Lights
9	2-7835	DECAL, Console
10	2-3506	BEZEL
11	1-2685	NUT, 5/8-32 Hex
12	9-0880	WASHER, 5/8 Int. Tooth Lock
13	2-6448	STEERING WHEEL
14	2-3504	KEY, Special (With Cover)
15	2-3655	HANDLE, Throttle Control
16	9-1018	NUT, #8-32 Hex

ITEM	PART NO.	DESCRIPTION
17	9-1188	SCREW, #10-24 x 5/8" Machine (2)
18	2-4642	CONTROL, Throttle
19	9-1017	SCREW, #8-32 x 3/8" Cross-Recessed, Fillester Head
20	1-1791	RETAINER (4)
21	9-0073	SCREW, 1/4-20 x 3/4" H.H.C. (2)
22	9-0184	NUT, 5/16-18 Hex Center Lock (4)
23	5-2891	ASSEMBLY, Strap-Clinch Stud (2)
24	7-6978	NUT, 1/4-20 Hex Nyloc (2)
25	2-6196	ASSEMBLY, Flange Bearing
26	2-2368	GEAR, Pinion, Steering Shaft
27	2-2369	PIN, Dowel, 1/4 x 1 1/4"
28	2-4641	TIE, Wire
29	5-2907	ASSM'Y., Fuel Tank (Incls. item 30)
30	1-7808	CAP, Fuel Tank
31	2-2380	SHAFT, Steering
32	1-2765	ROLL-PIN

FRONT AXLE PARTS



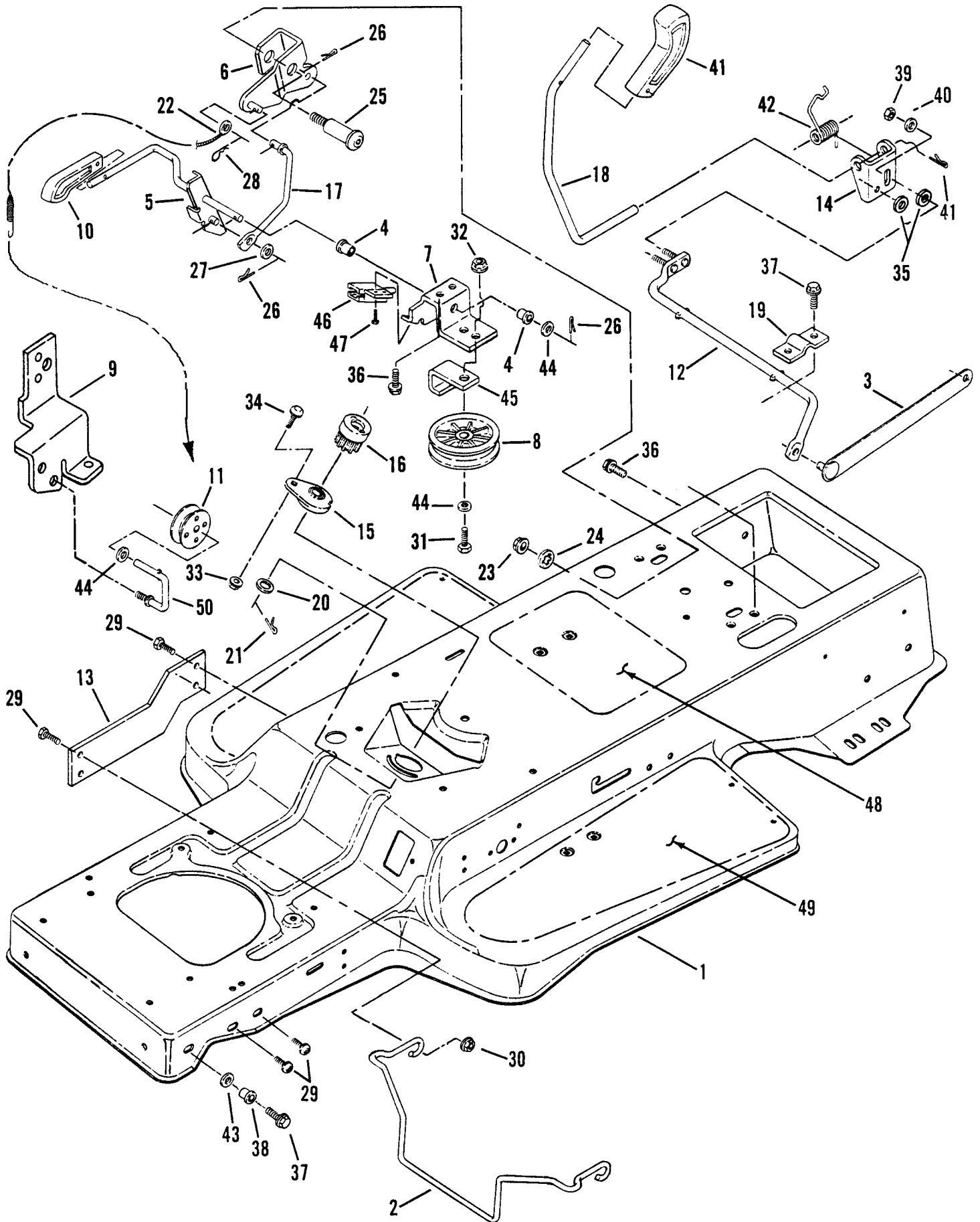
FRONT AXLE PARTS

ITEM	PART NO.	DESCRIPTION
1	3-3374	BRACKET, Axle (Rear)
2	1-2063	WASHER, Cone (4)
3	7-6979	NUT, 3/8-16 Nyloc (2)
4	1-9034	ARM, Steering
5	9-0842	ROLL-PIN, 1/4 x 1 1/4"
6	1-0935	WASHER, Shim (3)
7	9-0184	NUT, 5/16-18 Center Lock (2)
8	9-0477	NUT, 1/4-20 Hex Flange Top-Lock (2)
9	1-3864	FITTING, Lube (2)
10	1-9467	BEARING, Spindle (2)
11	2-2758	BOLT, 1/4-20 x 1 41/64" Shoulder (4)
12	3-3383	BRACKET, Deck Hanger (2)
13	9-1046	SCREW, 5/16-18 x 2 1/2" Hex Head Cap (2)
14	3-1036	WASHER, Thrust (2)
15	9-0130	NUT, 3/8-16 Hex (2)
16	9-0118	WASHER, 3/8 Split Lock (2)
17	2-4180	SPACER, Tie-Rod (2)
18	9-0655	SCREW, 3/8-16 x 1 1/2" Hex Head Cap, Grade 5 (2)
19	4-1008	SPINDLE ASSEMBLY, Left Hand, Long (For 13" Tires - 33" Deck)
-	4-1351	SPINDLE ASSEMBLY, Left Hand, Short (For 15" Tires - 38" Deck)
20	5-2490	BRACKET ASSEMBLY, Axle (Front)
21	2-2324	TIE-ROD
22	9-0590	BOLT, 3/8-16 x 3" Hex Head (2)
23	4-1007	SPINDLE ASSEMBLY, Right Hand, Long (For 13" Tires - 33" Deck)
-	4-1350	SPINDLE ASSEMBLY, Right Hand, Short (For 15" Tires - 38" Deck)
24	4-0986	AXLE, Front
25	1-0746	RING, Retaining
26	2-6595	SPACER (2)

CLUTCH, BRAKE & STEERING COMPONENTS

ITEM	PART NO.	DESCRIPTION	ITEM	PART NO.	DESCRIPTION
1	3-3627	BRACE, Sector Gear	40	9-0585	NUT, 5/16-18 Hex Fla. Lock (2)
2	4-1589	WELDMENT, Brake Arm	41	5-2809	ASSEMBLY, Sector Gear
3	2-8034	ROD, Brake	42	2-4383	SPRING, Idler
4	1-2264	SPRING	43	1-1791	RETAINER, 5/16 Bolt
5	2-2743	PEDAL, Park Brake	44	9-0118	WASHER, 3/8 Split Lock (3)
6	3-3558	BRACKET, Brake Switch	45	1-5067	PIN, 3/32 x 1-1/2" Hair (2)
7	5-2431	ASSEMBLY, Foot Shaft Pivot (Includes Item 8)	46	1-2661	PAD, Pedal
8	1-4871	FITTING, 3/16 Lube	47	2-3649	WASHER, 5/16 Nylon (2)
9	5-3240	ASSEMBLY, Clutch/Brake Arm	48	2-3188	KNOB, Push/Pull
10	2-4057	LATCH, Park Brake	49	1-5992	WASHER, 5/8 Flat
11	2-2886	SWITCH (NC/NO)	50	9-1000	SCREW, 5/16-18 x 7/8" Truss Head (Torx) (2)
12A	2-6705	ROD, Lift Link (33" Models)	51	2-4159	PIN, 3/64 x 1-7/32" Cotter (Self Locking)
12B	2-6590	ROD, Lift Link (38" Models)	52	9-0361	SCREW, 5/16-18 x 5/8" Self- Tapping (3)
13	3-3556	GUIDE, Pulley	53	9-0188	WASHER, 5/16 Flat
14	3-3557	ARM, Idler (Traction Drive)	54	9-0163	SCREW, 3/8-24 x 1-1/4" Hex Head Cap
15	2-3954	PULLEY	55	9-0913	SCREW, #10-24 x 1/2" Self- Tapping (Torx)
16	3-3595	EXTENSION, Idler Arm	56	3-1036	WASHER, 3/4 Thrust
17	3-3521	BRACKET, Rear Lift/PTO Lever	57	9-0655	SCREW, 3/8-16 x 1-1/2" Hex Head Cap
18	4-1306	WELDMENT, Rear Lift (33" Models)	58	9-0613	NUT, 3/8-16 Hex Flange Lock
-	4-1369	WELDMENT, Rear Lift (38" Models)	59	9-0595	BOLT, 5/16-18 x 3/4" Hex Flange Lock
19	3-3520	BRACKET, Deck Hang Pivot	60	2-3189	RING, Tolerance
20	2-4115	ASSEMBLY, Clutch/Brake Cable	61	9-0629	SCREW, 3/8-16 x 2-1/4" Hex Head Cap
21	4-1589	WELDMENT, Brake Pivot	62	2-3645	PIN, 3/16 x 1-1/2" Clevis
22	9-0184	NUT, 5/16-18 Hex Center Lock	63	2-2742	BEARING, Flange
23	9-1151	SCREW, 5/16-18 x 1-1/4" Self-Tapping	64	9-0130	NUT, 3/8-16 Hex Nut
24	2-2381	BOLT, 1/2-13 x 2" Shoulder	65	1-2080	TIE, Cable
25	2-4604	BOLT, 1/2-13 x 3-7/8" Shoulder	66	2-6459	GUIDE, Drive Belt
26	9-0509	WASHER, 1/2 Internal Lock	67	3-4162	PIN, 5/16 Cotter (Self-Locking) (2)
27	9-0619	NUT, 1/2-13 Hex Flange Lock	68	1-4451	TIE, Wire
28	9-0803	BOLT, 1/4-20 x 5/8" Carriage (6)	-	5-2728	ASSEMBLY, Drag Link (Includes Items 69 Thru 71)
29	9-0583	NUT, 1/4-20 Flange Lock (6)	69	2-2846	LINK, Drag
30	2-8037	SWIVEL, Inline Brake	70	2-3200	ROD END (2)
31	2-8091	SPRING, Brake	71	9-0482	NUT, 3/8-24 Hex Jam (2)
32	7-6949	NUT, 3/8-16 Hex Nyloc	72	9-0975	NUT, 1/2-13 Hex Center Lock
33	1-4341	RING, 1/2" Ext. Retaining (2)	73	9-0037	PIN, 3/32 x 3/4" Cotter
34	9-0250	WASHER, 1/2 Flat	74	4-1590	WELDMENT, Shift Link
35	1-1016	BEARING, Nylon (2)	75	5-2920	ASSEMBLY, Shift Lever (Lower)
36	3-4159	LINK, Speed	76	9-0546	NUT, 3/8-16 Hex Center Lock
37	9-0122	WASHER, 3/8 Flat	77	4-6778	WASHER, Pivot- Stiffener
38	4-1612	ARM, Trans. Speed Control			
39	9-1001	SCREW, 5/16-18 x 5/8" Truss Head (Torx) (5)			

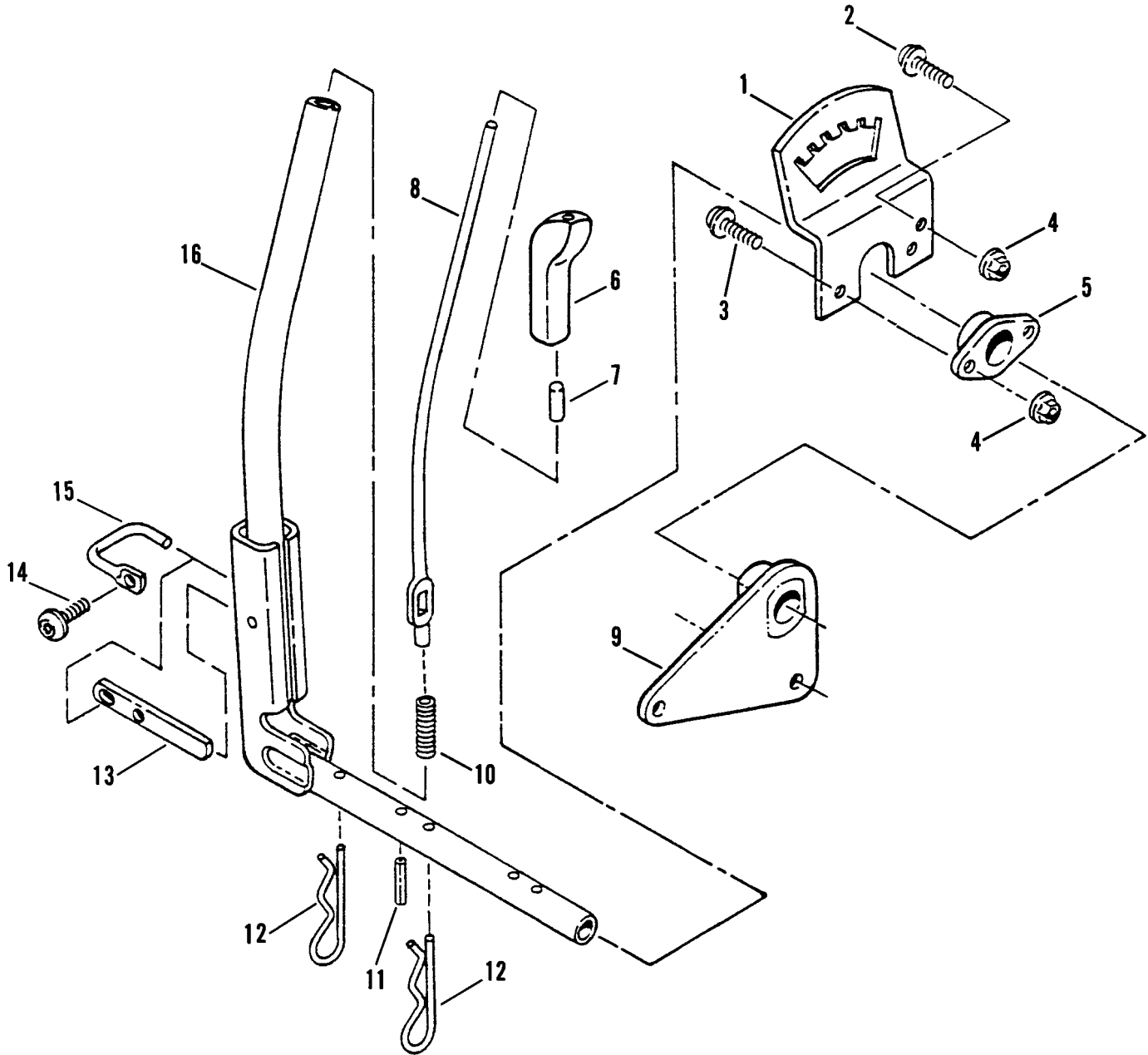
BLADE ENGAGEMENT & TRANSMISSION CONTROLS



BLADE ENGAGEMENT & TRANSMISSION CONTROLS

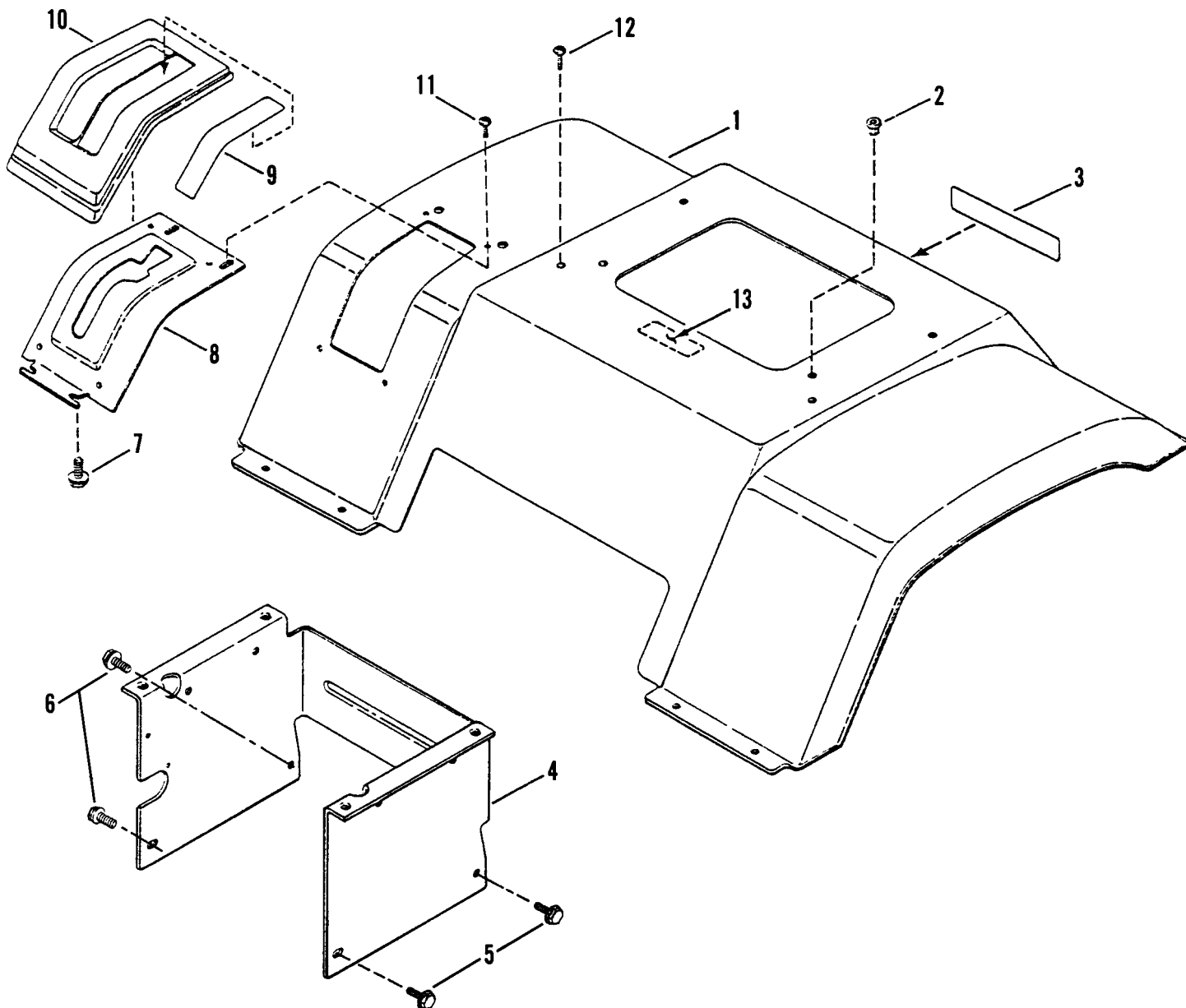
ITEM	PART NO.	DESCRIPTION
1	3-3301	FRAME, Tractor
2	2-7736	GUIDE, Belt (33" Model)
—	4-1556	GUIDE, Belt (38" Model)
3	4-1590	LINK, Shift Lever
4	1-3321	BUSHING
5	4-1307	WELDMENT, PTO Lever
6	4-1310	WELDMENT, PTO Bellcrank
7	3-3525	SUPPORT, PTO LEVER
8	2-4344	PULLEY
9	3-4127	BRACKET, Spool
10	2-3657	KNOB, Deck Engagement
11	2-3182	SPOOL
12	5-2920	ASSEMBLY, Shift Lever (Lower)
13	3-3832	BRACE, Frame (2)
14	3-3541	BRACKET, Shift Lever (Upper)
15	5-2562	ASSEMBLY, Steering Adjuster
16	2-2368	GEAR, Steering Pinion
17	2-3931	ROD, PTO Link
18	2-3957	LEVER, Shift
19	3-3554	CLIP (2)
20	1-4296	WASHER, 1/2 Shim (2)
21	9-0365	PIN, 1/8 x 3/4" Cotter
22	2-6621	CABLE, Blade (33" Model) 14.3"
—	2-4377	CABLE, Blade (38" Model) 20.5"
23	9-0619	NUT, 1/2-13 Hex Flange Lock
24	9-0509	WASHER, 1/2 Internal Tooth Lock
25	2-4518	BOLT, 1/2-13 x 2 11/32" Shoulder
26	9-0037	PIN, 3/32 x 3/4" Cotter
27	9-0122	WASHER, 3/8 Flat
28	1-5067	PIN, 3/32 x 1 1/2" Hair
29	9-1001	SCREW, 5/16-18 x 5/8" Truss Head, Torx (9)
30	9-0585	NUT, 5/16-18 Hex Flange Lock
31	9-0655	SCREW, 3/8-16 x 1 1/2" Hex Head Cap
32	9-0546	NUT, 3/8-16 Hex Center Lock
33	9-0583	NUT, 1/4 Nex Flange Lock
34	9-0551	BOLT, 1/4-20 x 5/8" Short Neck Carriage
35	9-1023	WASHER, 1/4 Internal Tooth Lock (2)
36	9-0361	SCREW, 5/16-18 x 5/8" Self-Tapping
37	9-1151	SCREW, 5/16-18 x 1 1/4" Self-Tapping (2)
38	2-4616	BUSHING, Flange (2)
39	7-6978	NUT, 1/4-20 Hex Flange Lock
40	9-0055	WASHER, 1/4 Flat
41	2-3656	KNOB, Deck Lift Lever
42	2-4069	SPRING, Shift Lever
43	9-0188	WASHER, 5/16 Flat
44	9-0122	WASHER, 3/8 Flat
45	3-3556	GUIDE, Belt
46	2-3355	SWITCH, Blade Engagement
47	9-0913	SCREW, #10-24 x 1/2" Self-Tapping
48	3-4161	DECAL, Instruction/Safety
49	2-6614	PAD, Foot Sandpaper
50	2-4182	ROD, Spool Pivot

IMPLEMENT LIFT PARTS



ITEM	PART NO.	DESCRIPTION
1	3-3449	QUADRANT, Lift Lever
2	9-1001	SCREW, 5/16-18 x 5/8" Truss Head (Torx)
3	9-1000	SCREW, 5/16-18 x 7/8" Truss Head (Torx) (2)
4	9-0585	NUT, 5/16-18 Hex Flange Lock (3)
5	2-2567	PIVOT, Lift Lever
6	1-9363	KNOB, Lift Lever
7	1-4361	CAP, Lever Rod
8	2-2565	ROD, Lift Lever
9	4-1301	BELL-CRANK, Lift Structure (38" Deck)
-	4-1310	BELLCRANK, Lift Structure (33" Deck)
10	2-2566	SPRING
11	2-2895	PIN, 1/4 x 1 1/8" Dowel
12	1-3844	PIN, 5/32 x 2 5/8" Hair (2)
13	2-2568	DETENT, Latch
14	9-0999	SCREW, 1/4-20 x 5/8" Truss Head (Torx)
15	2-4742	LATCH, Pivot
16	4-1015	STRUCTURE, Lift Lever (38" Model)
-	4-1494	STRUCTURE, Lift Lever (33" Model)

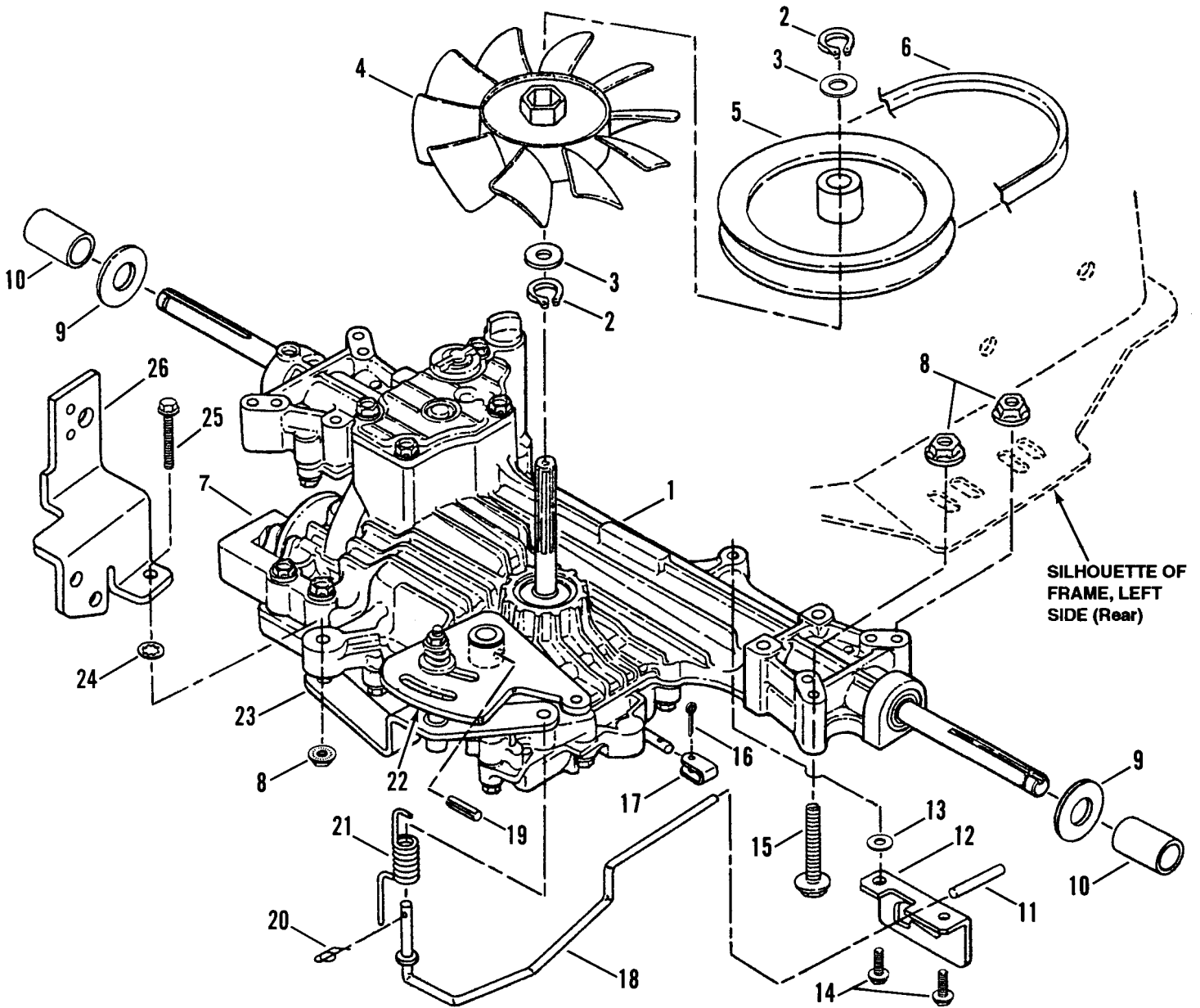
REAR FENDER & COMPONENTS



ITEM PART NO. DESCRIPTION

ITEM	PART NO.	DESCRIPTION
1	3-3314	PAN, Seat (Fender)
2	2-3193	RIV-NUT, 5/16-18 (2)
3	2-2971	DECAL - SNAPPER, 7.28 Molded Logo (33" & 38" Models)
4	3-3312	SUPPORT, Fender
5	9-0361	SCREW, 5/16-18 x 5/8" Hex Washer Head, Self-Tapping (Left Side Only!) (2)
6	9-1151	SCREW, 5/16-18 x 1 1/4" Hex Washer Head, Self-Tapping (Right Side Only!) (2)
7	9-1105	SCREW, #10-16 x 1/2" Hex Washer Head, Self-Tapping (4)
8	3-3120	DETENT, Gear Shift
9	1-6576	DECAL, Shift Cover, 5-Speed
10	2-4894	COVER, Shift
11	9-0999	SCREW, 1/4-20 x 5/8" Truss Head (Torx) (4)
12	9-1001	SCREW, 5/16-18 x 5/8" Truss Head (Torx) (4)
13	2-6415	DECAL - CAUTION, Battery Location

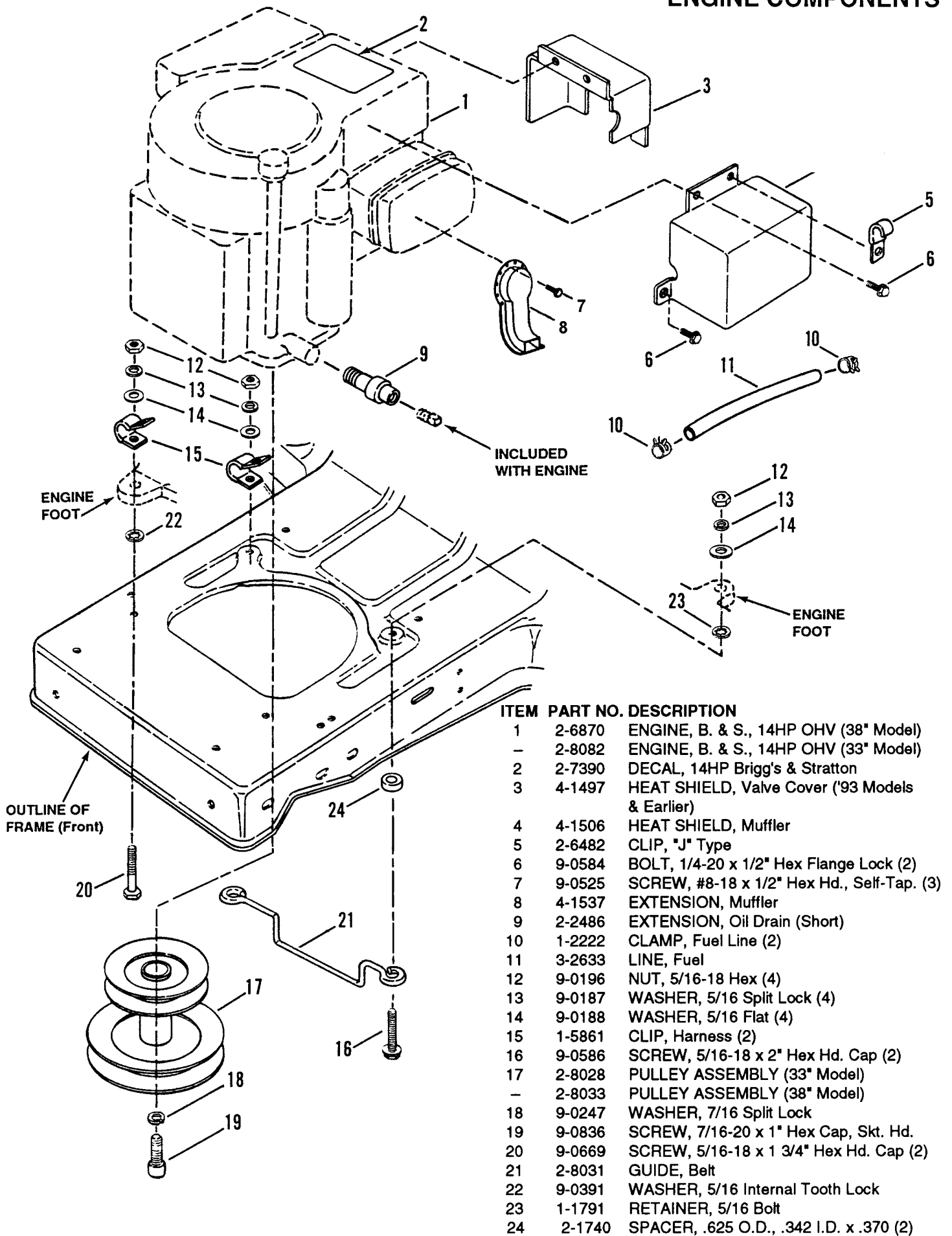
TRANSMISSION GROUP



ITEM	PART NO.	DESCRIPTION
1	2-8668	TRANSAXLE ASSEMBLY
2	2-8078	RING, Retaining (2)
3	2-8084	WASHER, Fan/Hub (2)
4	2-8076	FAN
5	2-8077	PULLEY, Drive
6	2-8334	BELT, Traction Drive
7	9-1489	Brake Arm - Not Shown
8	9-0585	NUT, 5/16-18 Hx. Flg. Lk. (5)
9	3-3701	WASHER, Flat (2)
10	2-8049	SPACER (2)
11	3-4137	GRIP, Roll Release
12	3-4139	DETENT, Roll Release
13	3-2070	WASHER, 3/4" O.D. Flat
14	9-0967	SCREW, 3/8-16 x 1 1/4" Self-Tapping (2)
15	9-0702	BOLT, 5/16-18 x 2 1/4" Hex Flange Lock (4)
16	9-0364	COTTER-PIN, 5/32 x 1"
17	3-4154	LINK, Roll Release
18	3-4140	WIREFORM, Roll Release

ITEM	PART NO.	DESCRIPTION
19	3-4146	ROLL-PIN, Speed Control Arm
20	3-4162	COTTER-PIN, 5/16 Self-Locking
21	3-4155	SPRING, Torsion, Roll Release
22	5-3386	ASSEMBLY, Speed Control/Friction (Includes Part No's. Listed Below)
-	4-1612	WELDMENT, Speed Control Arm
-	2-8036	SPRING
-	3-4192	STUD, Friction
-	9-0593	NUT, 3/8-16 Hex Flange Lock
-	9-1047	WASHER, 13/32" I.D. x 1 1/2" O.D. (2)
-	3-4267	WASHER, Friction Pad (2)
23	5-3380	SUPPORT, Friction Stud Assembly (Includes Part No's. Listed Below)
-	1-2306	BUSHING, Flange
-	3-4178	SUPPORT, Friction Stud
24	1-1791	RETAINER, 5/16 Bolt
25	9-0586	BOLT, 5/16-18 x 2" Hex Flange Lock
26	3-4127	BRACKET, Spool

ENGINE COMPONENTS

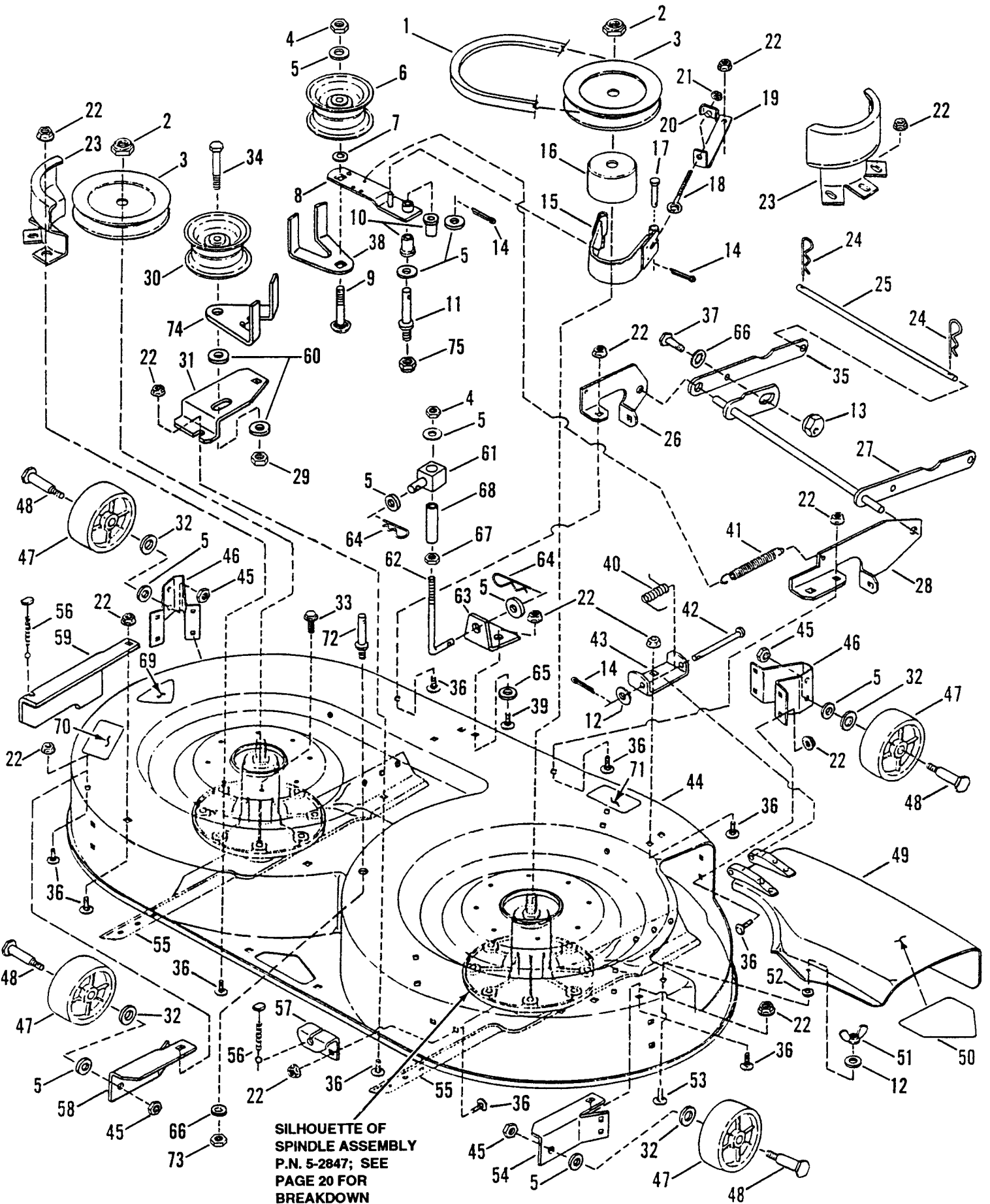


ITEM	PART NO.	DESCRIPTION
1	2-6870	ENGINE, B. & S., 14HP OHV (38" Model)
-	2-8082	ENGINE, B. & S., 14HP OHV (33" Model)
2	2-7390	DECAL, 14HP Briggs & Stratton
3	4-1497	HEAT SHIELD, Valve Cover ('93 Models & Earlier)
4	4-1506	HEAT SHIELD, Muffler
5	2-6482	CLIP, "J" Type
6	9-0584	BOLT, 1/4-20 x 1/2" Hex Flange Lock (2)
7	9-0525	SCREW, #8-18 x 1/2" Hex Hd., Self-Tap. (3)
8	4-1537	EXTENSION, Muffler
9	2-2486	EXTENSION, Oil Drain (Short)
10	1-2222	CLAMP, Fuel Line (2)
11	3-2633	LINE, Fuel
12	9-0196	NUT, 5/16-18 Hex (4)
13	9-0187	WASHER, 5/16 Split Lock (4)
14	9-0188	WASHER, 5/16 Flat (4)
15	1-5861	CLIP, Harness (2)
16	9-0586	SCREW, 5/16-18 x 2" Hex Hd. Cap (2)
17	2-8028	PULLEY ASSEMBLY (33" Model)
-	2-8033	PULLEY ASSEMBLY (38" Model)
18	9-0247	WASHER, 7/16 Split Lock
19	9-0836	SCREW, 7/16-20 x 1" Hex Cap, Skt. Hd.
20	9-0669	SCREW, 5/16-18 x 1 3/4" Hex Hd. Cap (2)
21	2-8031	GUIDE, Belt
22	9-0391	WASHER, 5/16 Internal Tooth Lock
23	1-1791	RETAINER, 5/16 Bolt
24	2-1740	SPACER, .625 O.D., .342 I.D. x .370 (2)

33" CUTTING DECK, BELTS, BRAKES

ITEM	PART NO.	DESCRIPTION	ITEM	PART NO.	DESCRIPTION
1	2-6546	BELT, 33" Drive	48	9-0492	WING-NUT, 5/16-18
2	2-6558	PULLEY, Spindle, 7" O.D.	49	9-0130	NUT, 3/8-16 Hex (2)
3	1-0027	NUT, 3/4-16 Hex Jam	50	9-0118	WASHER, 3/8 Split Lock (2)
4	1-4304	PIN, 1/4 x 1 1/4" Clevis	51	9-0584	BOLT, 1/4-20 x 1/2" Hex Flange Lock
5	5-2886	BAND, Brake	52	9-0850	BOLT, 3/8-16 x 3/4" Carriage
6	3-2169	DRUM, Brake	53	3-2432	LINK, Adjustment
7	2-4192	ROD, Link, Clutch/Brake	54	1-5012	ECCENTRIC, Leveling
8	1-0740	RING, Retaining (2)	55	9-0563	SCREW, 3/8-16 x 1" Hex Head Cap
9	3-8018	BRACE, Spindle	56	9-0721	BOLT, 5/16-18 x 1/2" Hex Flange Lock (8)
10	9-0368	SCREW, 5/16-18 x 3/4" Self-Tapping	57	3-8453	RAIL, Side (2)
11	9-0456	NUT, 3/8-16 Hex Cntr. Lock	58	3-3952	ANCHOR, Brake
12	1-2264	SPRING, Clutch & Brake	59	5-2917	ASSEMBLY, Spindle (Includes items 60 thru 70)
13	4-1487	GUIDE, Belt	60	2-4687	SPINDLE
14	9-0037	COTTER-PIN, 3/32 x 3/4" (2)	61	1-0817	FITTING, Lube
15	9-0055	WASHER, Flat	62	5-2294	HOUSING, Spindle (Includes item 61)
16	2-4452	PULLEY, Idler 3 1/4" O.D.	63	1-2491	RING, Retaining (2)
17	9-0122	WASHER, 3/8 SAE (3)	64	1-3313	BEARING, Spindle (2)
18	9-0503	BOLT, 3/8-16 x 1 3/4" Hex Hd.	65	1-4407	WASHER, Spindle (2)
19	1-7516	SWIVEL, Brake	66	3-7751	HOLDER, Blade
20	1-2431	PIN, 1/4 x 1 1/8" Hair (2)	67	9-0559	NUT, 1/2-20 Hex Jam (4) (2 in assembly)
21	2-6677	BOLT, 1/4-20 Eye	68	9-0509	WASHER, 1/2 Int. Tooth Lk. (2)
22	1-4303	NUT, 1/4-20 Tee	69	9-0392	SCREW, 1/2-20 Hex Head Cap (4) (2 in assembly)
23	9-0063	NUT, 1/4-20 Hex	70	9-0356	NUT, 5/8-18 Hex Lock
24	2-6639	ROD, Front Lift	71	5-7482	ASSEMBLY, Blade & Air Lift (Includes items 72 thru 76)
25	3-3938	BRACKET, Front Lift Hanger	72	1-9523	BLADE, 33" Mower Deck
26	1-3460	PIN, 3/8 x 1 1/2" Clevis	73	3-7723	AIR-LIFT (2)
27	3-3407	PIN, Front Deck Hanger	74	9-0228	SCREW, 5/16-24 x 11/16" Machine (6)
28	1-3844	PIN, .148 x 2.62" Hair (2)	75	9-0391	WASHER, 5/16 Internal Tooth Lock (6)
29	4-1495	LIFT, Front Arm	76	9-0223	NUT, 5/16-24 Hex (6)
30	3-2027	WASHER, Flat (2)	77	3-8450	BRACKET, Gage Wheel Rear (2)
31	1-5272	SPACER (3)	78	3-3115	BRACKET, Rear Lift (2)
32	1-9190	WHEEL, Gage (3)	79	2-7430	CABLE, Deck Lift, Rear (2)
33	9-0289	NUT, 3/8-24 Hex Lock (3)	80	2-2991	DECAL, 33" Hi-Vac
34	9-0004	BOLT, 5/16-18 x 1/2" Short Neck Carriage (6)	81	1-6973	DECAL - CAUTION (Rotating Blades)
35	9-0585	NUT, 5/16-18 Hex Flange Lock (13)	82	2-4183	ARM, Pivot
36	9-0859	SCREW, 3/8-24 x 3 3/4" Hex Head Cap (3)	83	3-3578	BRACKET, Pivot Arm
37	1-5067	PIN, Hair	84	3-3926	GUIDE, Belt
38	3-1914	PIN, Hinge	85	9-0361	SCREW, 5/16-18 x 5/8" Self- Tapping (6)
39	9-0612	BOLT, 3/8-16 x 3/4" Hex Flange Lock (14)	86	1-5761	SCREW, 5/16-18 x 3/4" Shoulder
40	3-9586	HINGE, Deflector	87	9-0583	NUT, 1/4-20 Hex Flange Lock
41	5-2555	ASSEMBLY, Deflector (Includes item 42)	88	1-2670	RING, Tolerance
42	1-3010	DECAL, Danger (Cut Finger)	89	3-3586	BRACKET, Link, Clutch/Brake
43	5-3180	DECK, Cutting, 33" (Includes items 46 & 81)	90	3-8451	BRACKET, Gage Wheel (Front)
44	9-0001	BOLT, 5/16-18 x 3/4" Short Neck Carriage	91	4-1311	ARM, Idler
45	9-0613	NUT, 3/8-16 Hex Flng. Lk. (14)			
46	1-4852	DECAL - CAUTION (Deflector)			
47	9-0188	WASHER, 5/16 Flat			

38" CUTTING DECK, BELTS, BRAKES

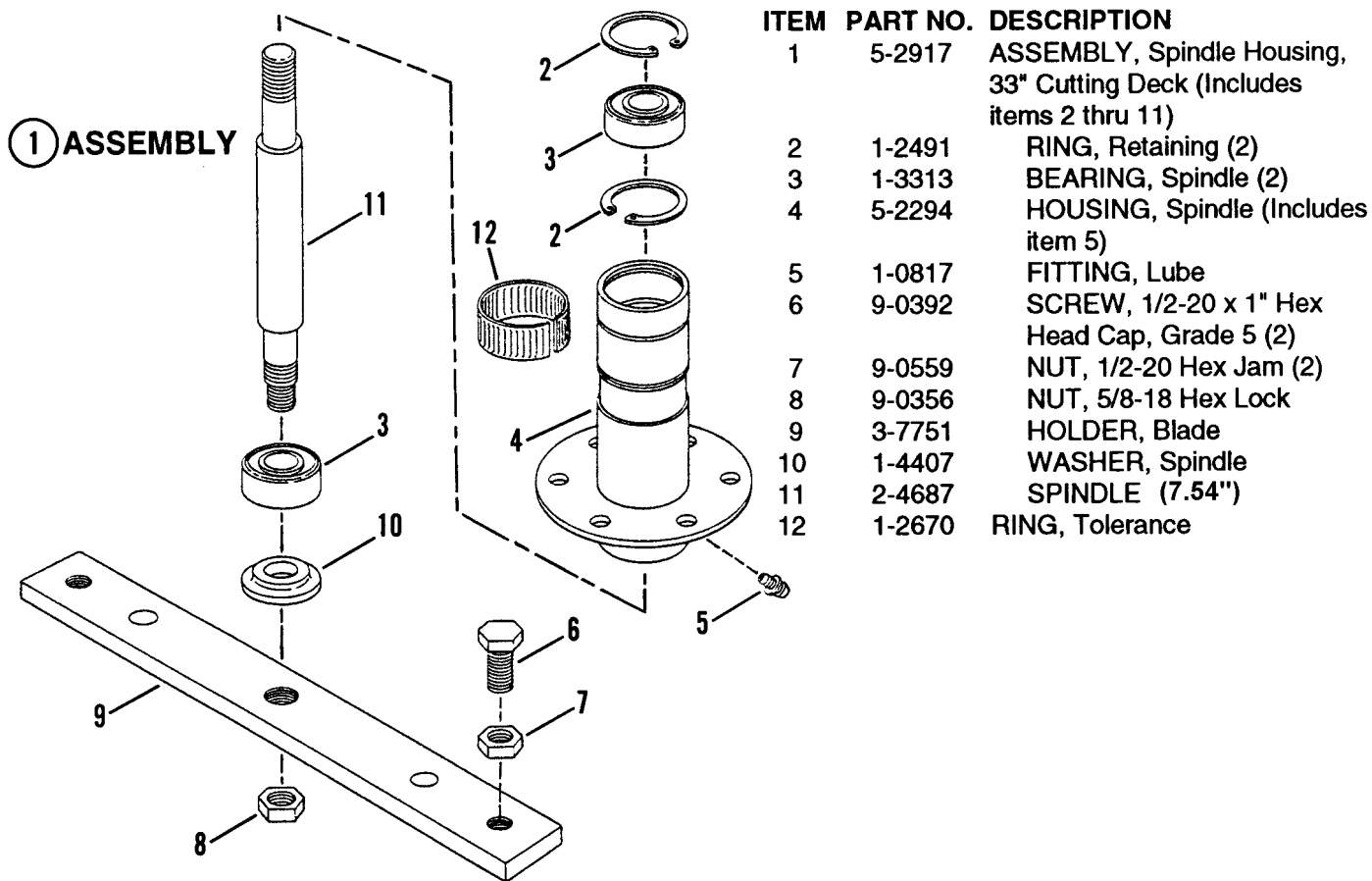


SILHOUETTE OF SPINDLE ASSEMBLY
P.N. 5-2847; SEE
PAGE 20 FOR
BREAKDOWN

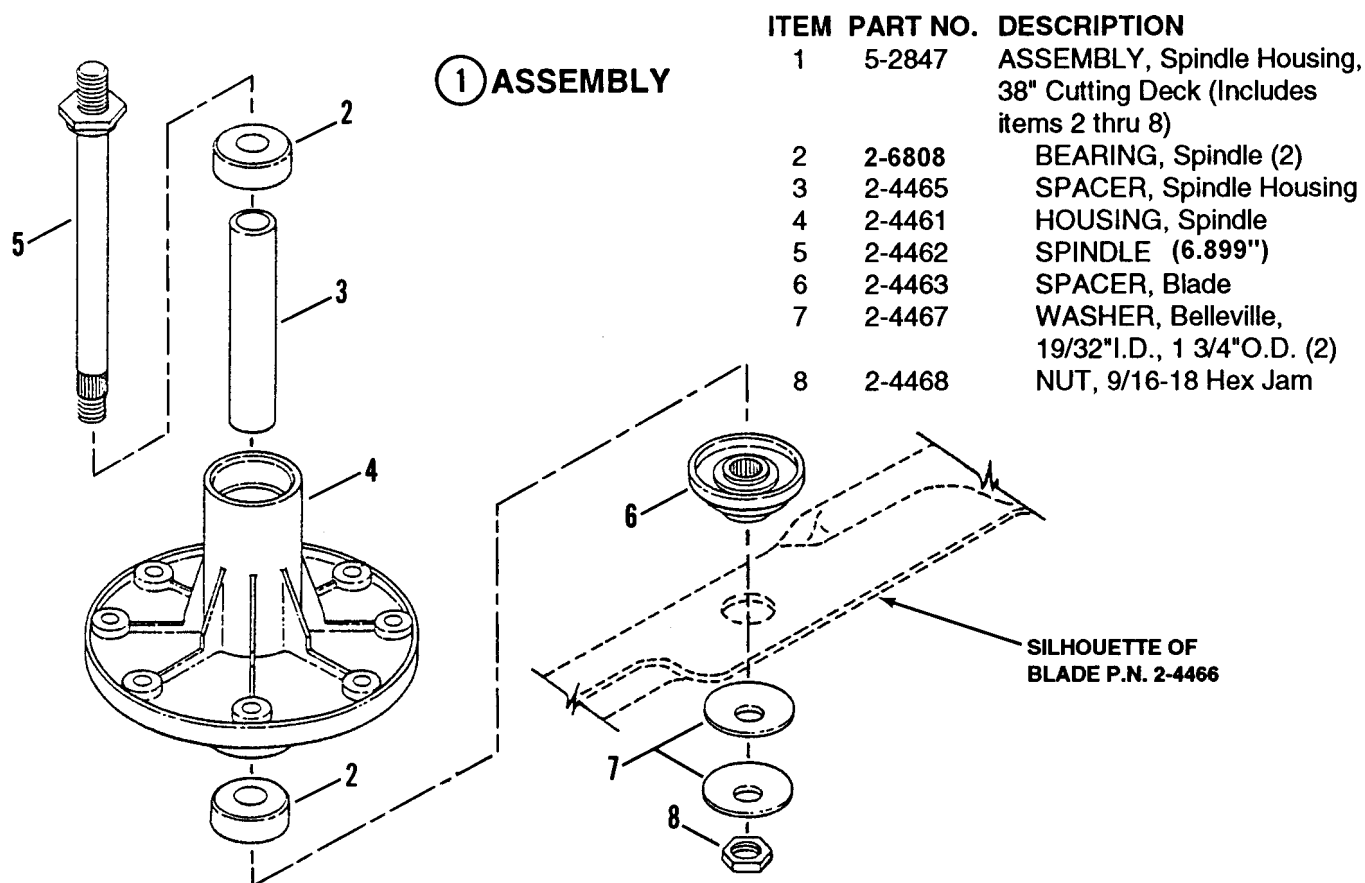
38" CUTTING DECK, BELTS, BRAKES

ITEM	PART NO.	DESCRIPTION	ITEM	PART NO.	DESCRIPTION
1	2-4614	BELT, Drive, 38" Cutting Deck	38	3-3929	GUIDE, Belt
2	9-1006	NUT, 5/8-18 Hex Nyloc (2)	39	9-1097	BOLT, 5/16-18 x 3/4" Short Neck Carriage (2)
3	2-7792	PULLEY, Spindle (2)	40	2-6158	SPRING, Chute Deflector Hinge
4	7-6979	NUT, 3/8-16 Hex Nyloc (2)	41	2-6173	SPRING, Blade Brake
5	9-0122	WASHER, 3/8 Flat (10)	42	2-6161	PIN, 5/16 X 3 3/16" Clevis
6	2-4725	PULLEY, Idler	43	3-3706	HINGE, Chute Deflector
7	1-3847	RETAINER, 3/8 Bolt	44	3-3639	DECK, 38" Cutting
8	4-1392	ARM, Idler Pulley	45	9-0289	NUT, 3/8-24 Hex Lock (4)
9	9-0738	BOLT, 3/8-16 x 2 3/4" Short Neck Carriage, Grade 5	46	3-3756	BRACKET, Gage Wheel, Front (2)
10	1-2306	BUSHING, Flange (2)	47	2-6122	WHEEL, Gage (4)
11	2-6618	STUD, Idler	48	1-1720	BOLT, 3/8-24 Shoulder (4)
12	9-0188	WASHER, Flat (2)	49	5-3165	ASSEMBLY, Chute Deflector (Includes 1 each item 12 & 14, & items 40, 42, 43, & 50)
13	1-5447	ECCENTRIC, Leveling	50	1-3010	DECAL, Danger
14	9-0037	COTTER-PIN, 3/32 x 3/4" (3)	51	9-0492	NUT, 5/16-18 Wing
15	5-2886	ASSEMBLY, Brake Band	52	1-1791	RETAINER, 5/16 Bolt
16	3-3816	DRUM, Brake	53	9-0001	BOLT, 5/16-18 x 3/4" Short Neck Carriage, Grade 2
17	1-4304	PIN, 1/4 x 1 5/8" Clevis	54	3-3890	BRACKET, Wheel (Right Side)
18	1-4302	BOLT, 1/4-20 Eye	55	2-4466	BLADE, 38" Cutting Deck (2)
19	3-3825	ANCHOR, Blade Brake	56	2-7428	CABLE, Rear Lift (2)
20	2-4908	NUT, 1/4-20 "T" Lock	57	3-3698	BRACKET, Rear Deck Lift (Right Side)
21	9-0063	NUT, 1/4-20 Hex	58	3-3891	BRACKET, Wheel (Left Side)
22	9-0585	NUT, 5/16-18 Hex Flange Lock (32)	59	3-3893	BRACKET, Rear Deck Lift (Left Side)
23	2-6800	GUARD, Belt (2)	60	9-1152	WASHER, .406 I.D. x 1.50 O.D. x .20 (2)
24	1-3844	PIN, Hair (2)	61	2-6648	SWIVEL, Lift
25	3-3407	PIN, Deck Hanger	62	2-6635	BOLT, "J"
26	3-3704	BRACKET, Front Lift Arm (Left Side)	63	2-6634	BRACKET, Angle (Front)
27	4-1371	LIFT, Front Arm	64	1-6231	PIN, Hair (2)
28	2-6525	BRACKET, Front Lift Arm (Right Side)	65	9-0500	WASHER, 7/16 Flat
29	9-1121	NUT, 1/2-13 Hex Nyloc	66	9-0390	WASHER, 3/8 Internal Tooth Lock
30	2-6310	PULLEY, Idler	67	9-0130	NUT, 3/8-16 Hex
31	3-3728	BRACKET, Idler	68	2-6649	SPACER, Lift
32	9-0250	WASHER, 1/2 Flat (4)	69	2-6710	DECAL - 38 Inch
33	9-0815	SCREW, 3/8-16 x 3/4" Self-Tapping	70	1-6973	DECAL - CAUTION (Rotating Blades)
34	9-0652	BOLT, 1/2-13 x 3" Hex Head Cap	71	1-4852	DECAL - CAUTION
35	3-3751	ARM, Front Lift	72	1-4583	STOP, Deck
36	9-0799	BOLT, 5/16-18 x 5/8" Short Neck Carriage (32)	73	9-0155	NUT, 3/8-24 Hex
37	9-0163	SCREW, 3/8-24 x 1 1/4" Hex Head Cap, Grade 2	74	3-4045	GUIDE, Belt
			75	1-1201	NUT, 5/16-24 Hex Lock

SPINDLE - 33" CUTTING DECK

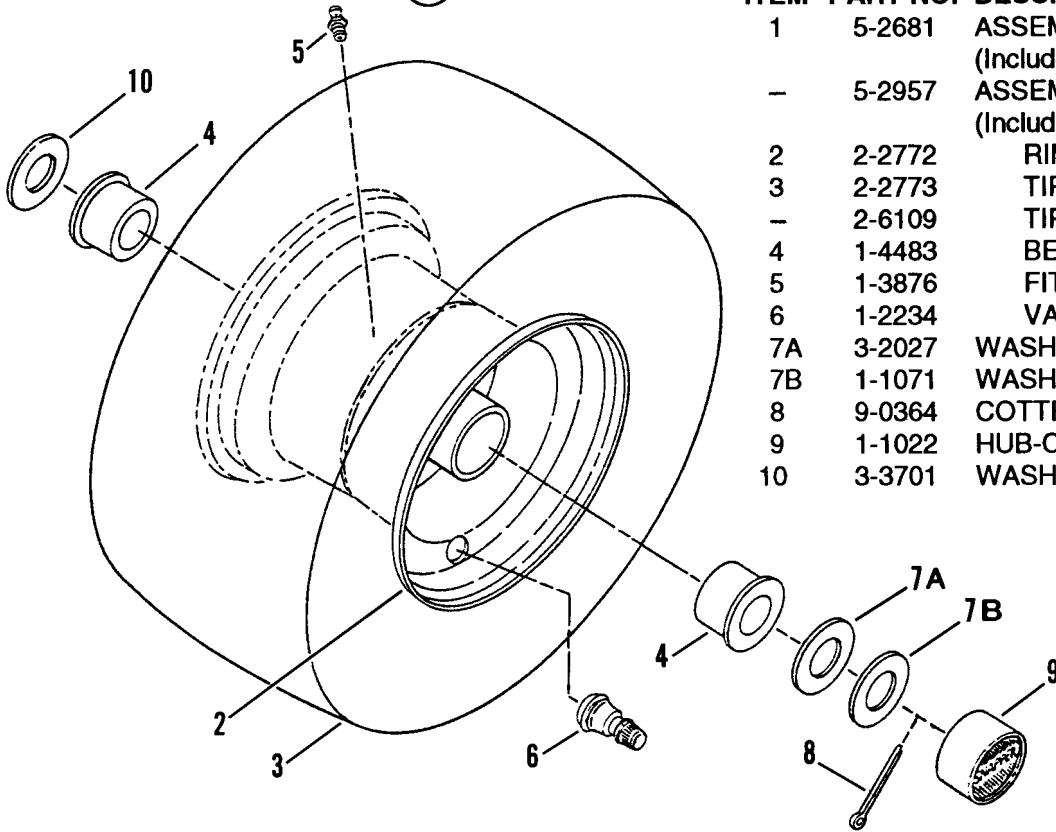


SPINDLE - 38" CUTTING DECK



WHEELS - FRONT

① ASSEMBLY

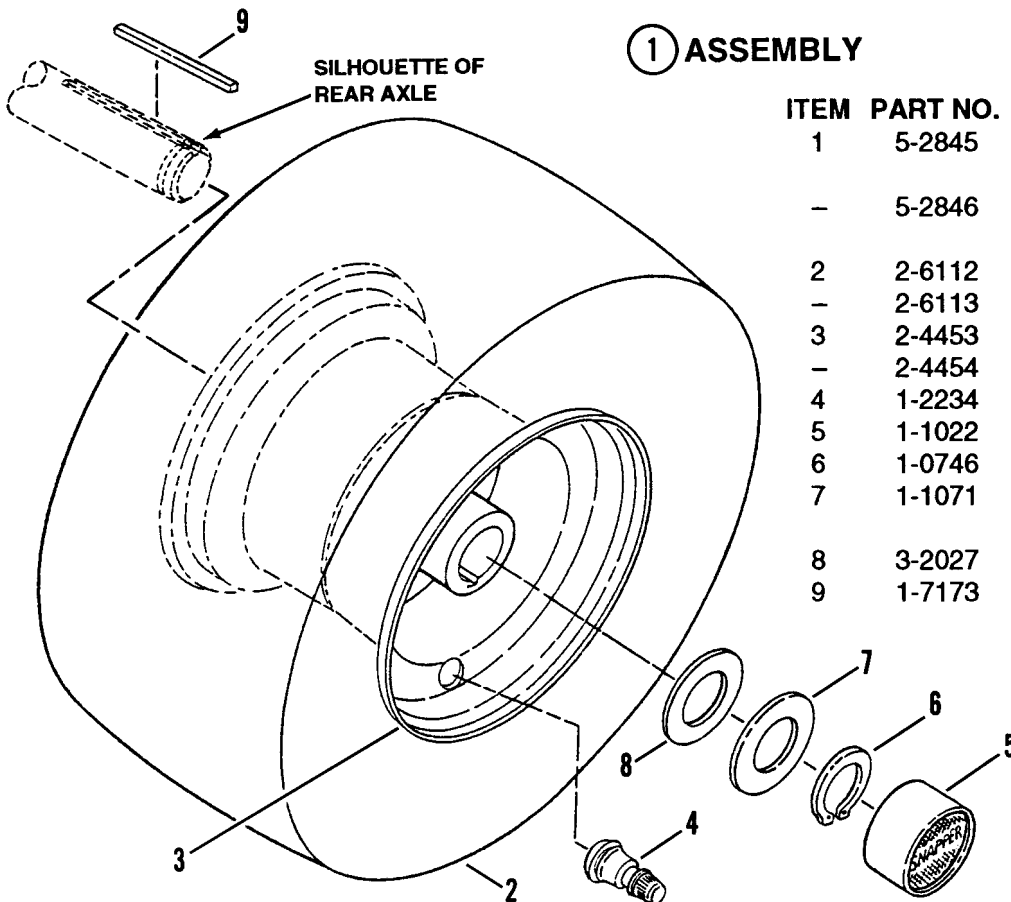


ITEM	PART NO.	DESCRIPTION
1	5-2681	ASSEMBLY, Front Tire & Rim (Includes items 2 thru 6)(33" Model)
-	5-2957	ASSEMBLY, Front Tire & Rim (Includes items 2 thru 6)(38" Model)
2	2-2772	RIM, 5.50 x 4.00
3	2-2773	TIRE, 13 x 5.00 (33" Model)
-	2-6109	TIRE, 15 x 6.00 (38" Model)
4	1-4483	BEARING, Wheel (2)
5	1-3876	FITTING, Lube
6	1-2234	VALVE, Air (Snap-in)
7A	3-2027	WASHER, 3/4 I.D. x 1 1/2 O.D. Flat
7B	1-1071	WASHER, 3/4 I.D. x 1 5/8" O.D. Thrust
8	9-0364	COTTER-PIN
9	1-1022	HUB-CAP (33" Model)
10	3-3701	WASHER, 25/32 I.D. x 1 1/2" O.D.

LEFT HAND
WHEEL SHOWN

WHEELS - REAR

① ASSEMBLY

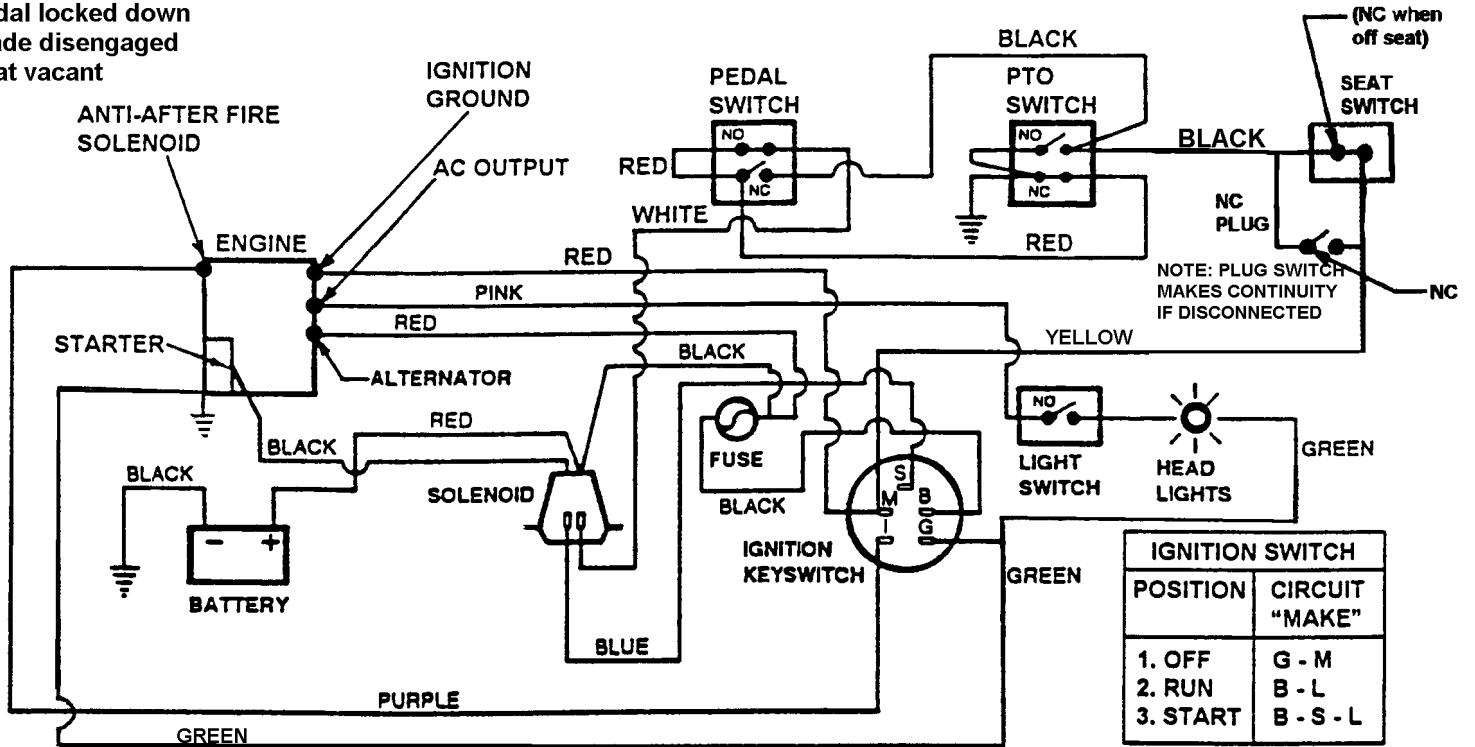


ITEM	PART NO.	DESCRIPTION
1	5-2845	ASSEMBLY, Rear Tire & Rim (Includes items 2 thru 4)(33" Model)
-	5-2846	ASSEMBLY, Rear Tire & Rim (Includes items 2 thru 4)(38" Model)
2	2-6112	TIRE, 18 x 7.50 (33" Model)
-	2-6113	TIRE, 18 x 8.50 (38" Model)
3	2-4453	RIM, 8.00 x 5.38 (33" Model)
-	2-4454	RIM, 8.00 x 7.00 (38" Model)
4	1-2234	VALVE, Air (Snap-in)
5	1-1022	HUB-CAP
6	1-0746	RING, Retaining
7	1-1071	WASHER, 3/4 I.D. x 1 5/8" O.D. Thrust (33" Model)
8	3-2027	WASHER, 3/4 I.D. x 1 1/2" O.D. Flat
9	1-7173	KEY, 3/16 x 2 1/2" Square

LEFT HAND
WHEEL SHOWN

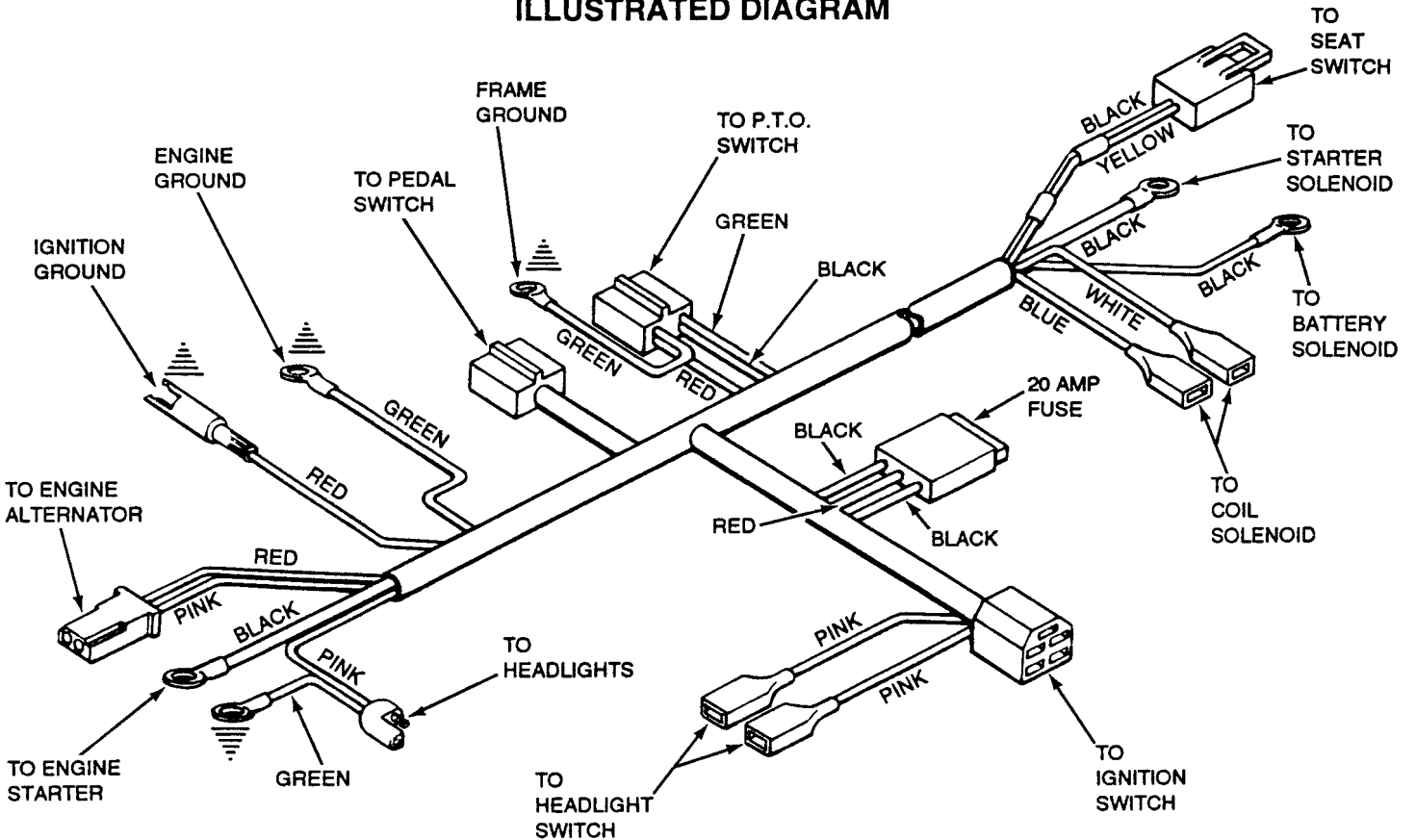
ELECTRICAL

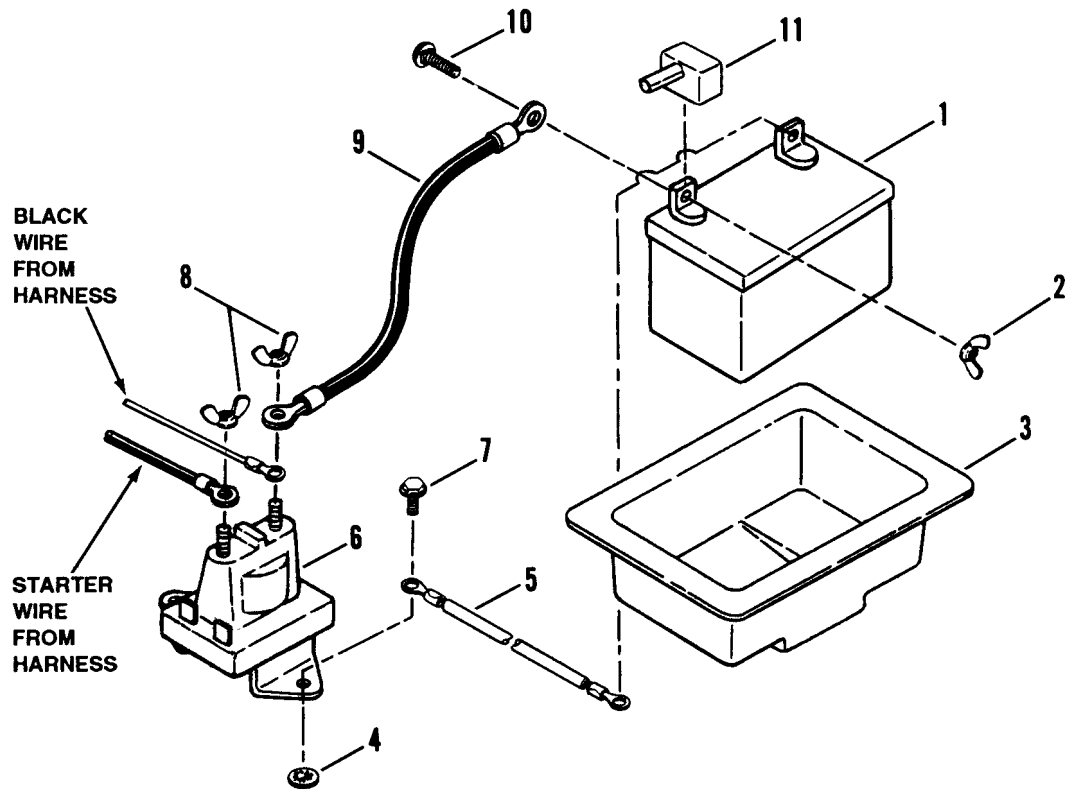
NOTE: Switches shown with,
Pedal locked down
Blade disengaged
Seat vacant



SCHMATIC - WIRING HARNESS P.N. 2-6616

ILLUSTRATED DIAGRAM



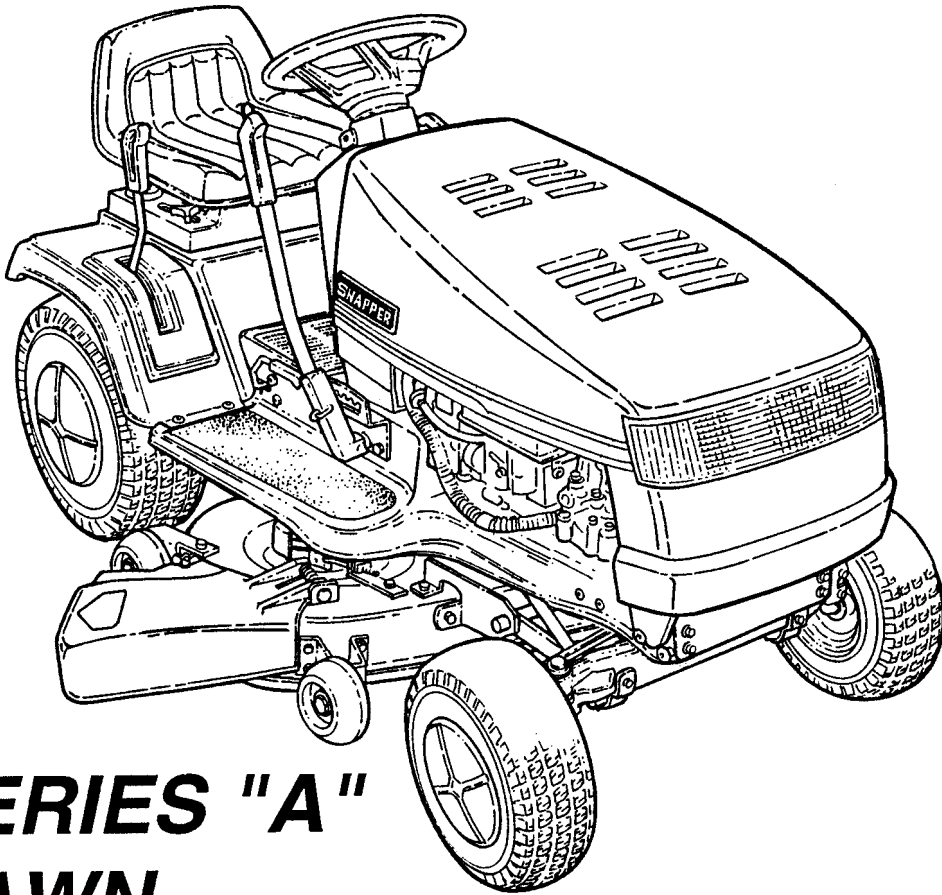


ITEM	PART NO.	DESCRIPTION
1	6-0618	KIT, Battery (Includes Decal P.N. 1-6134 and Battery Without Acid)
2	9-0311	WING-NUT, 1/4-20 (2)
3	1-7853	TRAY, Battery
4	1-2485	RETAINER, Screw
5	2-6414	CABLE, Ground (Black)
6	1-8604	SOLENOID
7	9-0539	SCREW, 1/4-20 x 1/2" Self-Tapping (2)
8	9-0997	WING-NUT, 1/4-20 Locking (2)
9	1-4476	CABLE, Positive (Red)
10	9-0074	BOLT, 1/4-20 x 3/4" Carriage (2)
11	1-2444	COVER, Positive Terminal

Parts Manual for

SNAPPER[®]

**ELT140H33ABV &
LT140H38ABV**



**SERIES "A"
LAWN
TRACTORS**

SNAPPER[®] McDonough, GA., 30253 U.S.A.